



Bosch Smart Home

Controller Instruction Manual

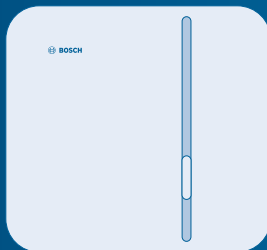


BOSCH

Start making your home smart!



Make sure that you download the Bosch Smart Home App.

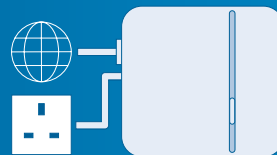


You need the Bosch Smart Home App to install and configure your Bosch Smart Home Controller as well as your other Bosch Smart Home products. Please also make sure that you have an internet connection as well as a WLAN router with a free LAN port.

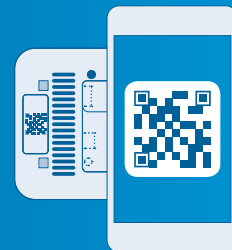
Set up your product in just three steps



► **Start the Bosch Smart Home App**



► **Connect the Bosch Smart Home Controller to the power supply and WLAN router**



► **Scan the QR code on the underside of the controller or on the enclosed label**



You can also watch easy to follow installation videos on our website: www.bosch-smarthome.com/installation



Dear customer,

Congratulations on purchasing your Bosch Smart Home Controller. It is the basic component for making your home smarter.

With the Bosch Smart Home Controller, you will be able to network all of your Bosch Smart Home products digitally. And, thanks to the Bosch Smart Home App, you will be able to control them conveniently from anywhere. For greater convenience, reliability and energy savings.

**We hope you enjoy your new product,
The Bosch Smart Home Team**

TABLE OF CONTENTS

1.0 Product description	08	4.0 Indicators and controls	14	6.0 Fixing	25	8.0 Further information	31
1.1 Intended use.....	09	4.1 Product overview	14	6.1 Wall mounting	26		
2.0 In the box	10	5.0 Installation and setup	16	7.0 Product details	28		
3.0 Warning notices	12	5.1 Downloading the app	16	7.1 Technical data	28		
3.1 Explanation of symbols	12	5.2 Installing the controller	18	7.2 Declaration of conformity	29		
3.2 Safety instructions.....	13	5.3 Configuring the controller	20	7.3 Faults in radio operation	30		
		5.4 Adding further devices.....	24	7.4 Open-source software	30		
				7.5 Environmental protection and disposal.....	31		

1.0 PRODUCT DESCRIPTION

With the Bosch Smart Home Controller, you will be able to network all of your Bosch Smart Home components digitally. And, thanks to the Bosch Smart Home App, you will be able to control them conveniently from anywhere.

Your controller is updated automatically so that it remains up to date at all times. All system data is saved locally in the device, thus ensuring that your data remains secure.

1.1 Intended use

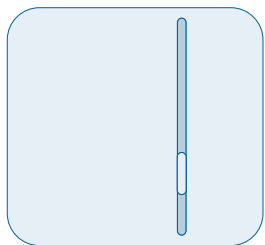
The product may only be used together with original Bosch Smart Home components, and is for indoor use only.

- ▶ Follow the safety instructions and the directions in this manual and the Bosch Smart Home App to ensure that the product is set up correctly
- ▶ Please note the details in the Technical Data section (see p. 28)
- ▶ Avoid installing in areas prone to high amounts of dust, direct sunshine or heat



Do not modify the product in any way. Any other use is considered unintended use. We will not assume liability for any resulting damage.

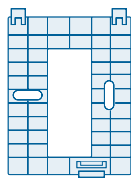
2.0 IN THE BOX



Controller



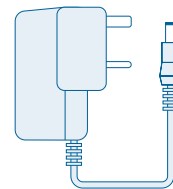
QR code
label



Wall mount



2 plugs,
2 screws



Power cable



Network cable



To operate the controller and, therefore, network all Bosch Smart Home products, you will need the app, an internet connection and a standard WLAN router with a free LAN port.

3.0 WARNING NOTICES

3.1 Explanation of symbols



Warning.

This alerts you to danger.



Info.

Indicates important information.

3.2 Safety instructions



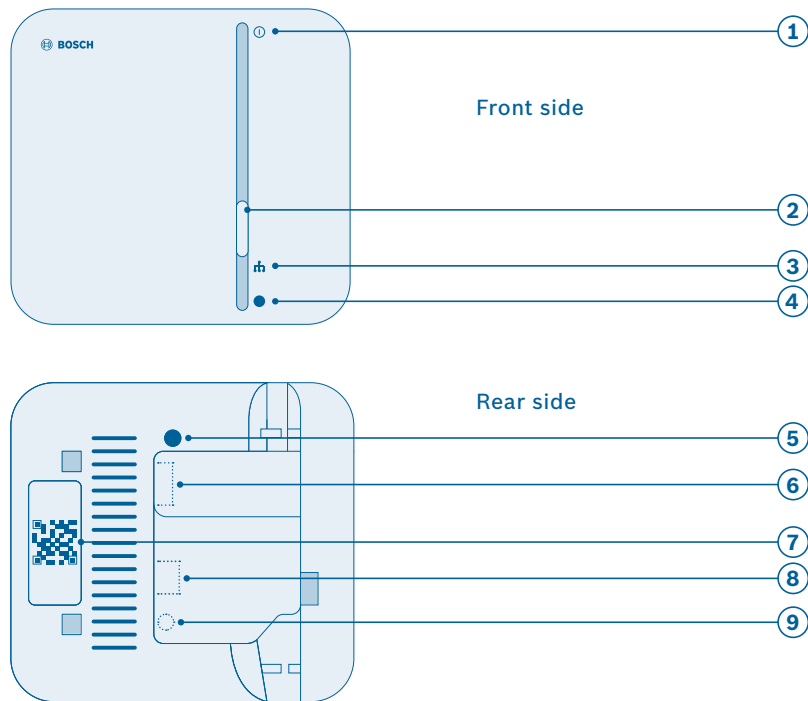
Fire risk.

There is a risk of fire if the product is used with a different power cable to that supplied.

- ▶ Only use the product with the original power cable

4.0 INDICATORS AND CONTROLS

4.1 Product overview



Item	Part	Explanation
1	Power LED	Operating status indicator (on/off)
2	Function button	For making settings
3	Network LED	Network connection indicator
4	Cloud LED	Internet connection indicator
5	System button	For resetting the device
6	USB port	Port for USB connection
7	QR code	Scan for device identification
8	Network connection	Connection to a LAN network
9	Power connection	Connection to the power supply

LED state	Explanation
Red	Fault
White, flashing	Process or update is being performed
White, lit up	Process or update has been completed successfully

5.0 Installation and setup

5.1 Downloading the app



Before you start

Make sure that you download the Bosch Smart Home App. You will need it for the entire installation, configuration and control.



WLAN access required

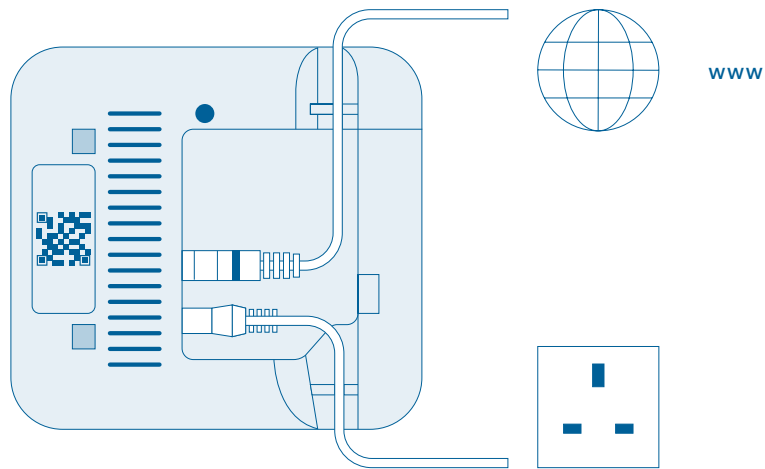
To set up the controller, you must have the Bosch Smart Home App on your mobile devices and be within range of the WLAN network router.

For Android devices	For Apple iOS devices
<ul style="list-style-type: none">▶ Load up Google Play▶ Search for “Bosch Smart Home”▶ Select the “Bosch Smart Home App”▶ Tap “Install”	<ul style="list-style-type: none">▶ Load up the App Store▶ Search for “Bosch Smart Home”▶ Select the “Bosch Smart Home App”▶ Tap “Get”



For assistance with installing your Bosch Smart Home Controller, you may also refer to the explanatory video on our website: www.bosch-smarthome.com/installation

5.2 Installing the controller



Insert the network cable into the controller and into a free LAN port on your WLAN router.

Now use the power cable to connect the controller to the plug socket.

After the device starts, the LEDs show the initialization status using flash codes (see table).

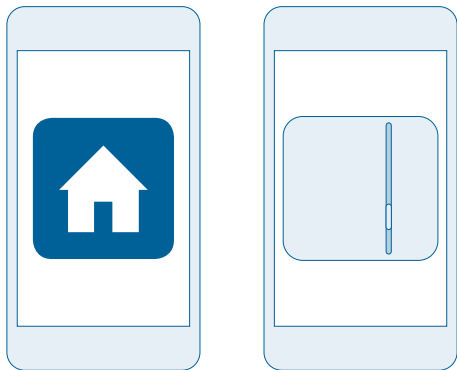


When you connect the controller to the internet for the first time, it will automatically search for software updates. If an update is required, it will be downloaded automatically by the controller and installed. This process may take up to 30 minutes. controller setup cannot begin until this process is complete.

Status	LED state
Start	All three LEDs are lit up red for a few seconds
Start-up	Power LED flashes white: The device is starting up
	Power LED is lit up white: The device has started up
Network connection	Network LED flashes white: Device is searching for a network connection
	Network LED is lit up white: The network connection has been established
Internet connection	Cloud LED flashes white: Device is searching for an internet connection ¹⁾
	Cloud LED is lit up white: The internet connection has been established

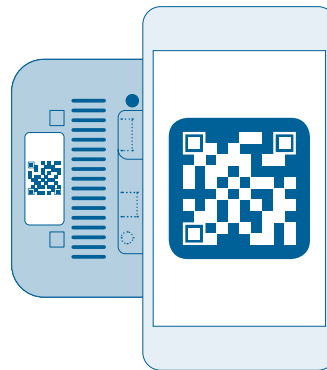
¹⁾ After initialization, the cloud LED flashes when data is being exchanged via the tunnel connection.

5.3 Configuring the controller



The controller must be the first device in your system that you connect with the app. Afterwards, you can connect additional Bosch Smart Home prod-

ucts and expand your system. Start the app and wait until it has detected the controller.

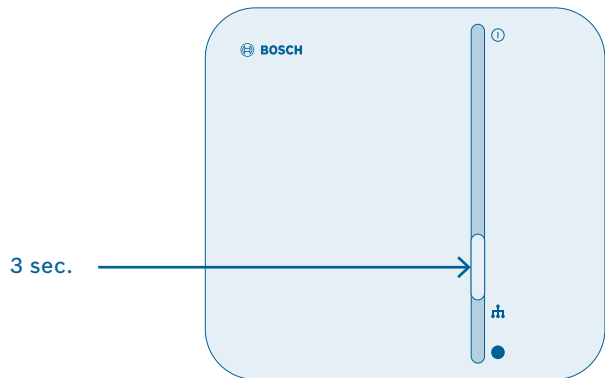


The app will prompt you to scan the QR code on the product.

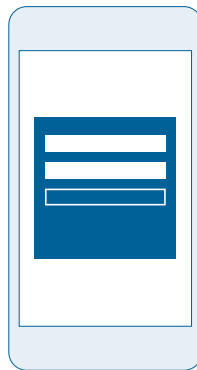
You will find the QR code on the rear side of the Plug and as a label in the box.



From this point, the app guides you through the installation process. You will find a brief description in the following pages of this instruction manual.



Next, the app will prompt you to press and hold the function button on the controller for approximately 3 seconds.



The following steps in the app are:

- ▶ Registration (set your username and password)
- ▶ Remote access configuration

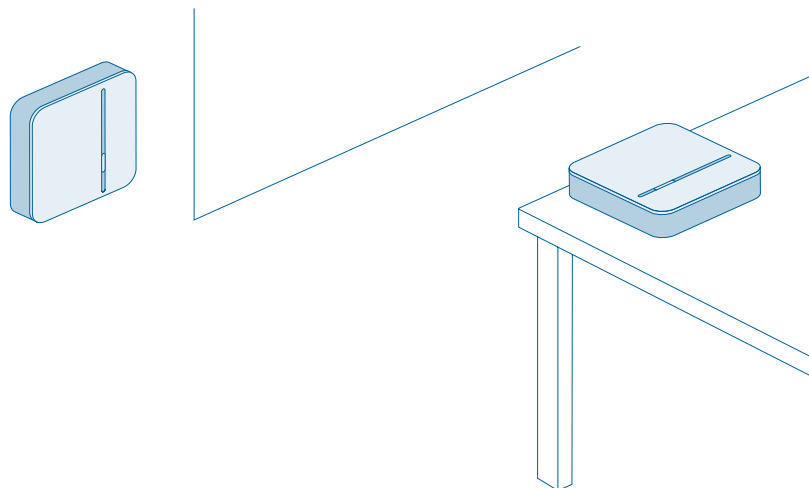
The app will inform you when the controller is completely set up. All controller LEDs will also light up white.

5.4 Adding further devices

Once the controller has been completely installed, you can add further products to your Bosch Smart Home network through the app.

To do this, follow the instruction manual for the relevant device.

6.0 FIXING



The controller can be used lying flat or mounted on the wall.

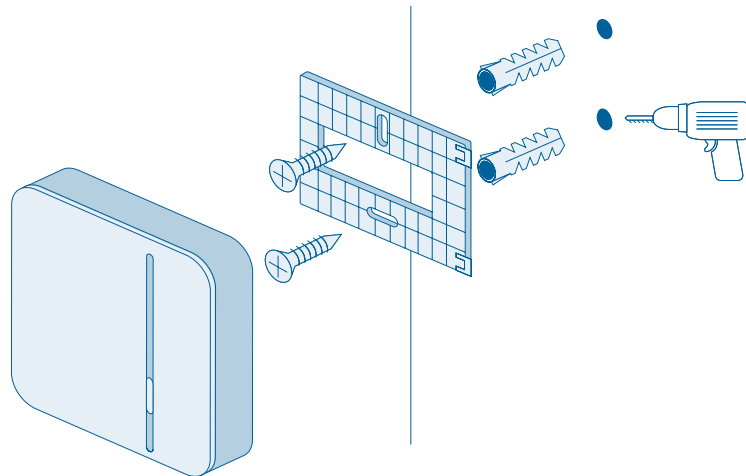
6.1 Wall mounting



When choosing a mounting location and when drilling, pay attention to potential electrical lines and/or supply lines that could be behind the wall.

To mount your controller on the wall, use the wall mount provided.

The plugs and screws required are also included in the box.



- ▶ Hold the wall mount at the required location on your wall, and mark the positions for the drill holes
- ▶ Drill the holes and place the plugs in the holes
- ▶ Fit the wall mount and screw it tight
- ▶ Now attach the controller to the wall mount so that you hear it click in place

7.0 PRODUCT DETAILS

7.1 Technical data

Model	Home controller AA
Power input	Typical: 400 mA Max.: 1.2 A
Receiver category	SRD category 2
Radio frequency	868.3 MHz/869.525 MHz/2.4 GHz
Max. transmission power	10 mW
Radio range in free-field conditions	> 100 m
Duty cycle	At 868.3 MHz < 1% per h At 869.525 MHz < 10% per h
Connections	Power supply, USB, LAN (Ethernet, RJ45)
Protection class	IP30
Ambient temperature	5 °C to 40 °C
Humidity	15% to 85%
Dimensions (W × H × D)	135 mm x 120 mm x 35 mm
Weight	190 g

7.2 Declaration of conformity

Robert Bosch Smart Home GmbH hereby declares that the Bosch Smart Home Controller radio communication unit complies with Directive 1999/5/EC and is designed for use in all countries of the European Union.

The declaration of conformity and declaration of performance can be downloaded from www.bosch-smarthome.com



7.3 Faults in radio operation

Faults in radio operation (e.g. due to electric motors or defective electrical devices) cannot be ruled out. The radio range inside buildings may differ greatly from the radio range in free-field conditions. Apart from the

transmission power and the receiver characteristics, environmental influences such as humidity and structural characteristics may also influence radio operation.

7.4 Open-source software

Bosch Smart Home relies on open-source software in order to control the products. You have two means of obtaining the comprehensive license information:

- ▶ Directly from the controller: Insert an empty USB stick in the port on

the rear side of the device. The licence information, as well as other product information, will be saved to the stick automatically.

- ▶ Online at **[www.bosch-smarthome.com/open-source software](http://www.bosch-smarthome.com/open-source-software)**

7.5 Environmental protection and disposal

Electrical and electronic equipment that is no longer usable must be separated from other waste and recycled in an environmentally friendly manner (European Directive on waste electrical and electronic equipment).

To dispose of electrical and electronic equipment, use your country-specific return and collection systems.



8.0 FURTHER INFORMATION

You can find more detailed information on operating and maintaining the controller in the online FAQs at **www.bosch-smarthome.com/faq**

You will also find all contact details on the rear side of this document.



Sale and transfer

Before you transfer or sell your device, delete your personal information. To do this, reset the device to its factory settings (see online FAQs).



#BeSmarter

INTERCONNECTED SMART HOME PRODUCTS

Save on heating costs, protect your valuables, create mood lighting and much more: Bosch Smart Home offers a complete, intelligent system to make your life more comfortable, safer and more sustainable.

Mehr unter www.bosch-smarthome.com



Radiator Thermostat



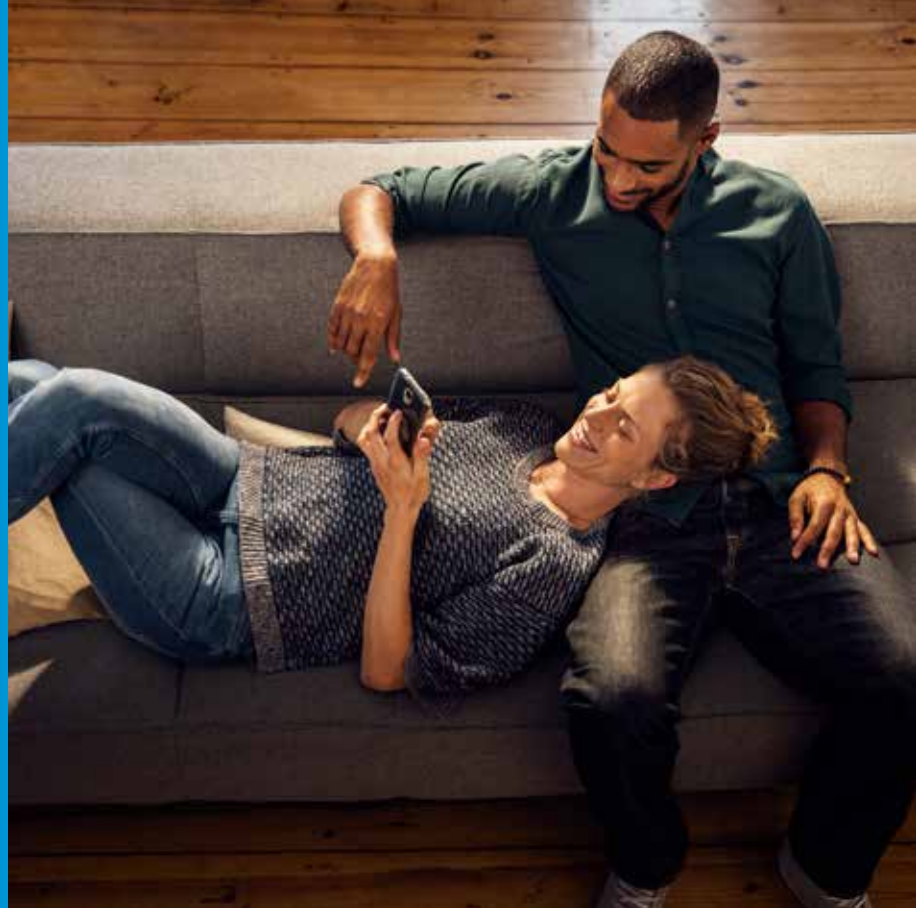
Smoke Detector





Plug



Door/Window Contact



 Robert Bosch Smart Home GmbH
Schockenriedstraße 17
70565 Stuttgart, Germany

 00800 8437 6278 (free for UK)
Mon–Fri 7:00 am–8:00 pm
Sat 8:00 am–6:00 pm

 service@bosch-smarthome.com



BOSCH

EN Important information for your Bosch Smart Home!

Robert Bosch Smart Home GmbH declares that this Bosch Smart Home wireless radio equipment is in compliance with the Directive 1999/5/EC (until 12th of June 2017) and Directive 2014/53/EU (from 13th of June 2017). The full text of the EU declaration of conformity is available at the following internet address:

www.bosch-smarthome.com/uk/en/EU-declarations-of-conformity

DE Wichtige Zusatzinformationen zu Ihrer Bedienungsanleitung!

Hiermit erklärt die Robert Bosch Smart Home GmbH, dass dieser Bosch Smart Home Funkanlagentyp der Richtlinie 1999/5/EG (bis 12. Juni 2017) und der Richtlinie 2014/53/EU (ab 13. Juni 2017) entspricht. Der vollständige Text der EU-Konformitätserklärung ist unter der folgenden Internetadresse verfügbar:

www.bosch-smarthome.com/de/de/CE-Konformitaetserklaerungen


FR Informations complémentaires importantes pour vos notices d'utilisation!

Par la présente Robert Bosch Smart Home GmbH, déclare que cet équipement radioélectrique Bosch Smart Home est conforme à la directive 1999/5/CE (jusqu'au 12 juin 2017) et à la Directive 2014/53/UE (à partir du 13 juin 2017). Le texte complet de la déclaration UE de conformité est disponible à l'adresse internet suivante :

www.bosch-smarthome.com/fr/fr/UE-declarations-de-conformite

 Robert Bosch Smart Home GmbH
Schockenriedstraße 17
70565 Stuttgart, Germany

 00800 8437 6278 (toll-free AT, DE, FR, UK)

 service@bosch-smarthome.com
www.bosch-smarthome.com

8-750-000-332 V001



BOSCH